







CONTINUOUS INKJET PRINTER

Print . Mark . Pack

UNCONVENTIONALLY SIMPLE!

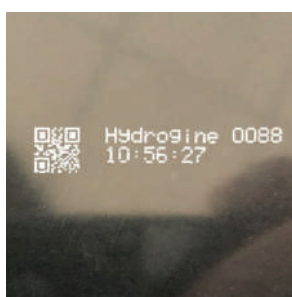
◀ Nilkamal Continuous Inkjet Printer F580



-  Simple **Unipart Ink System** with NO lock-out hours
-  Unique cross flow pumping to keep Pigment ink particles in suspension
-  Modular design with plug & play serviceability
-  Industry first, single cartridge system to eliminate blockages
-  Long Life, High Durable IP55 rated construction
-  Up to 50mm throw distance from product to printhead

UNIPART INK SYSTEM ▶

A quick change Combo External Filter unit placed outside Unipart Ink System requires no special skills to replace, when needed.



Specifications

Nozzle Bore

Standard: 70µ
Optional: 50 & 60µ

Maximum Line Speed

25-320 m/min with 0.417mm print dot interval

Printing Formats

Single-line: 5x5, 7x5, 9x6, 8x8, 11x8, 12x11, 15x12, 16x11,
24x16, 32x22, 9x6(bold), 11x8(bold)

Rated Character Height

1.2 mm to 10 mm, depending on font selected

Nominal Throw Distance

Minimum: 2 mm
Maximum: 15 mm

Keyboard

Standard American keyboard

Display

7" LED, High Contrast WYSIWYG display.

Custom Logo/Graphics

Can be created by individual user on printer or PC with Monochrome Bitmap format

Printhead Umbilical

Heavy Duty Armoured
Length 2700mm,
Diameter 21mm,
Bending Radius 150mm

Consumables Replenishment

Ink Cartridge Volume: 375ml
Makeup Cartridge Volume: 750ml
Makeup Cartridge: Select according to ink type
Cleaning Solutions: Select according to ink type

Barcode

Data matrix, QR code, Code 39, EAN8, EAN13,
Code 128, EN128, UPC-A

Message Storage

1000 complex messages. Unlimited storage using USB.

Input Language

Standard: English (USA)
Optional: Arabic, Chinese

User Interface

Standard: English (USA)
Optional: Arabic, Chinese

Data Interface

Standard USB with logo backup features

Console

MOC Stainless steel
576 mm height
348 mm wide
362 mm deep

Printhead

MOC Stainless steel
Heated print head
2 Valve inside the Printhead
Auto flush as Standard
Printhead Diameter 41mm
Printhead Length 243mm

Electrical Requirements

Voltage: 100-240VAC, 50Hz
Power: 120W-150W

Approximate Weight

Unpacked and dry: 27 kg
Gross weight with complete package: 40 kg

Optional

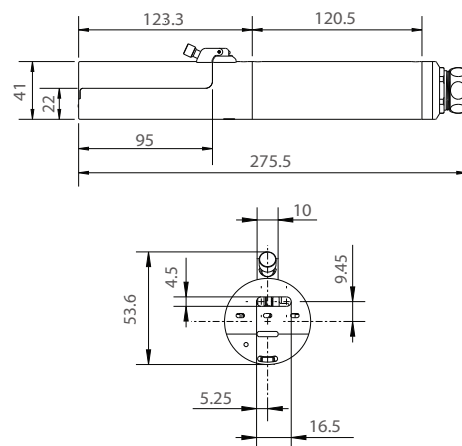
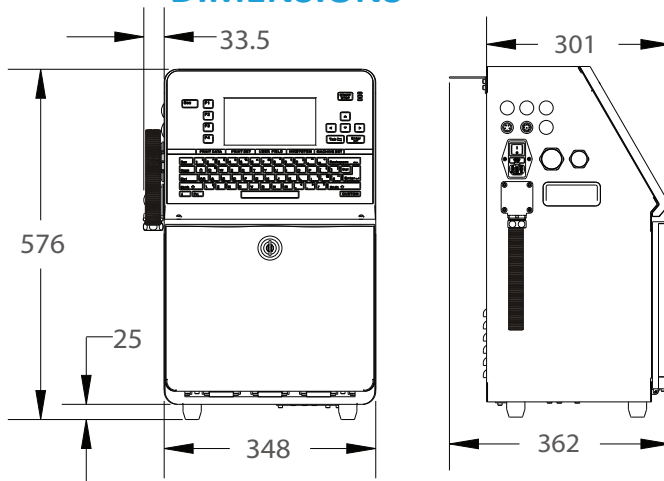
Positive air pump
Dry air kit for high humidity (requires plant air)
Product detect
RS232, encoder
Ethernet
90-degree print head
Conveyors and brackets as needed

Environmental

Protection Rating: IP55* Temperature: 5 C to 45 C
Humidity Range: 30-90% RH non-condensing

PRINTHEAD

DIMENSIONS



Head Office:

Nilkamal Limited

Nilkamal House, Plot No.77 & 78, Street No.14,
M.I.D.C, Andheri (East), Mumbai - 400093

Toll Free Number: 1800 890 9115

Email: marketing@nilkamal.com

www.nilkamalprintmarkpack.com

